



aerospace
climate control
electromechanical
filtration
fluid & gas handling
hydraulics
pneumatics
process control
sealing & shielding



AC 650G Series

General purpose high performance AC drives
0.25 kW - 110kW



ENGINEERING YOUR SUCCESS.

At Parker, we're guided by a relentless drive to help our customers become more productive and achieve higher levels of profitability by engineering the best systems for their requirements. It means looking at customer applications from many angles to find new ways to create value. Whatever the motion and control technology need, Parker has the experience, breadth of product and global reach to consistently deliver. No company knows more about motion and control technology than Parker. For further info call 00800 27 27 5374.



AEROSPACE

Key Markets

- Aircraft engines
- Business & general aviation
- Commercial transports
- Land-based weapons systems
- Military aircraft
- Missiles & launch vehicles
- Regional transports
- Unmanned aerial vehicles

Key Products

- Flight control systems & components
- Fluid conveyance systems
- Fluid metering delivery & atomization devices
- Fuel systems & components
- Hydraulic systems & components
- Inert nitrogen generating systems
- Pneumatic systems & components
- Wheels & brakes



CLIMATE CONTROL

Key Markets

- Agriculture
- Air conditioning
- Food, beverage & dairy
- Life sciences & medical
- Precision cooling
- Processing
- Transportation

Key Products

- CO² controls
- Electronic controllers
- Filter driers
- Hand shut-off valves
- Hose & fittings
- Pressure regulating valves
- Refrigerant distributors
- Safety relief valves
- Solenoid valves
- Thermostatic expansion valves



ELECTROMECHANICAL

Key Markets

- Aerospace
- Factory automation
- Food & beverage
- Life science & medical
- Machine tools
- Packaging machinery
- Paper machinery
- Plastics machinery & converting
- Primary metals
- Semiconductor & electronics
- Textile
- Wire & cable

Key Products

- AC/DC drives & systems
- Electric actuators
- Controllers
- Gantry robots
- Gearheads
- Human machine interfaces
- Industrial PCs
- Inverters
- Linear motors, slides and stages
- Precision stages
- Stepper motors
- Servo motors, drives & controls
- Structural extrusions



FILTRATION

Key Markets

- Food & beverage
- Industrial machinery
- Life sciences
- Marine
- Mobile equipment
- Oil & gas
- Power generation
- Process
- Transportation

Key Products

- Analytical gas generators
- Compressed air & gas filters
- Condition monitoring
- Engine air, fuel & oil filtration & systems
- Hydraulic, lubrication & coolant filters
- Process, chemical, water & microfiltration filters
- Nitrogen, hydrogen & zero air generators



FLUID & GAS HANDLING

Key Markets

- Aerospace
- Agriculture
- Bulk chemical handling
- Construction machinery
- Food & beverage
- Fuel & gas delivery
- Industrial machinery
- Mobile
- Oil & gas
- Transportation
- Welding

Key Products

- Brass fittings & valves
- Diagnostic equipment
- Fluid conveyance systems
- Industrial hose
- PTFE & PFA hose, tubing & plastic fittings
- Rubber & thermoplastic hose & couplings
- Tube fittings & adapters
- Quick disconnects



HYDRAULICS

Key Markets

- Aerospace
- Aerial lift
- Agriculture
- Construction machinery
- Forestry
- Industrial machinery
- Mining
- Oil & gas
- Power generation & energy
- Truck hydraulics

Key Products

- Diagnostic equipment
- Hydraulic cylinders
- Hydraulic motors & pumps
- Hydraulic systems
- Hydraulic valves & controls
- Power take-offs
- Rubber & thermoplastic hose & couplings
- Tube fittings & adapters
- Quick disconnects



PNEUMATICS

Key Markets

- Aerospace
- Conveyor & material handling
- Factory automation
- Food & beverage
- Life science & medical
- Machine tools
- Packaging machinery
- Transportation & automotive

Key Products

- Air preparation
- Compact cylinders
- Field bus valve systems
- Grippers
- Guided cylinders
- Manifolds
- Miniature fluidics
- Pneumatic accessories
- Pneumatic actuators & grippers
- Pneumatic valves and controls
- Rodless cylinders
- Rotary actuators
- Tie rod cylinders
- Vacuum generators, cups & sensors



PROCESS CONTROL

Key Markets

- Chemical & refining
- Food, beverage & dairy
- Medical & dental
- Microelectronics
- Oil & gas
- Power generation

Key Products

- Analytical sample conditioning products & systems
- Fluoropolymer chemical delivery fittings, valves & pumps
- High purity gas delivery fittings, valves & regulators
- Instrumentation fittings, valves & regulators
- Medium pressure fittings & valves
- Process control manifolds



SEALING & SHIELDING

Key Markets

- Aerospace
- Chemical processing
- Consumer
- Energy, oil & gas
- Fluid power
- General industrial
- Information technology
- Life sciences
- Military
- Semiconductor
- Telecommunications
- Transportation

Key Products

- Dynamic seals
- Elastomeric o-rings
- EMI shielding
- Extruded & precision-cut, fabricated elastomeric seals
- Homogeneous & inserted elastomeric shapes
- High temperature metal seals
- Metal & plastic retained composite seals
- Thermal management



 **WARNING - USER RESPONSIBILITY**

FAILURE OR IMPROPER SELECTION OR IMPROPER USE OF THE PRODUCTS DESCRIBED HEREIN OR RELATED ITEMS CAN CAUSE DEATH, PERSONAL INJURY AND PROPERTY DAMAGE.

This document and other information from Parker-Hannifin Corporation, its subsidiaries and authorized distributors provide product or system options for further investigation by users having technical expertise.

The user, through its own analysis and testing, is solely responsible for making the final selection of the system and components and assuring that all performance, endurance, maintenance, safety and warning requirements of the application are met. The user must analyze all aspects of the application, follow applicable industry standards, and follow the information concerning the product in the current product catalog and in any other materials provided from Parker or its subsidiaries or authorized distributors.

To the extent that Parker or its subsidiaries or authorized distributors provide component or system options based upon data or specifications provided by the user, the user is responsible for determining that such data and specifications are suitable and sufficient for all applications and reasonably foreseeable uses of the components or systems.

OFFER OF SALE

The items described in this document are hereby offered for sale by Parker Hannifin Corporation, its subsidiaries or its authorized distributors. This offer and its acceptance by the provisions stated in the detailed 'Offer of Sale' which is available upon request.

General purpose high performance AC drive

AC650G series AC drive

0.25kW - 110kW



Description

The AC650G is ideally suited to applications requiring accurate control at lower speeds, higher starting torques or where improved speed regulation of variable loads is important. So whether you are controlling a conveyor belt, automatic barrier, machine spindle or other high performance application, the sensorless flux vector technology of the AC650G delivers improved control.

In addition the variable torque configuration option above 7.5kW (400V supply) makes the AC650G ideally suited to energy saving in pump and fan applications. The AC650G delivers reliable, cost-effective voltage/

frequency speed control of your motor.

Designed with simplicity in mind, the AC650G comes in a compact format with DIN rail mounting as standard allowing easy integration into any electrical control panel.

To prevent unauthorised changes to inverter configuration after setup, the operator/programming keypad can be removed or password protected.

The AC650G is an easy to use, out of the box solution that will have your system up and running in no time. It provides reliable, robust motor control from 0.25kW through to 110kW.

Features

The AC650G offers the same high level of specification as the AC650 and also includes :

- High torque sensorless vector control mode for advanced motor control.
- Selectable constant torque or (higher) variable torque rating for centrifugal pump and fan applications allowing optimum inverter sizing to suit the application.
- Fully configurable with graphical software tools such as DSE Lite provided at no additional charge.
- Additional user configurable I/O points offering increased control capabilities.
- Additional PROFIBUS communications options for integration into PLC systems.
- Wall and panel mounting options above 7.5kW.
- Extended power range to 110kW makes the AC650G suited to a wide of uses.

Integrated operator keypad with option for remote mounting

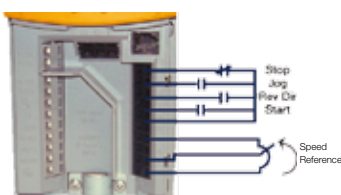
Pre-programmed Macros allowing quick and simple drive setup



DIN rail mounting for easy integration into any electrical cabinet

Optional integrated EMC filter ensures compliance while maintaining a compact footprint

6514 cloning module (option) allows easy back-up and transfer of parameters between different drives



Flexible I/O including analogue and relay output and motor thermister input allowing greater control options

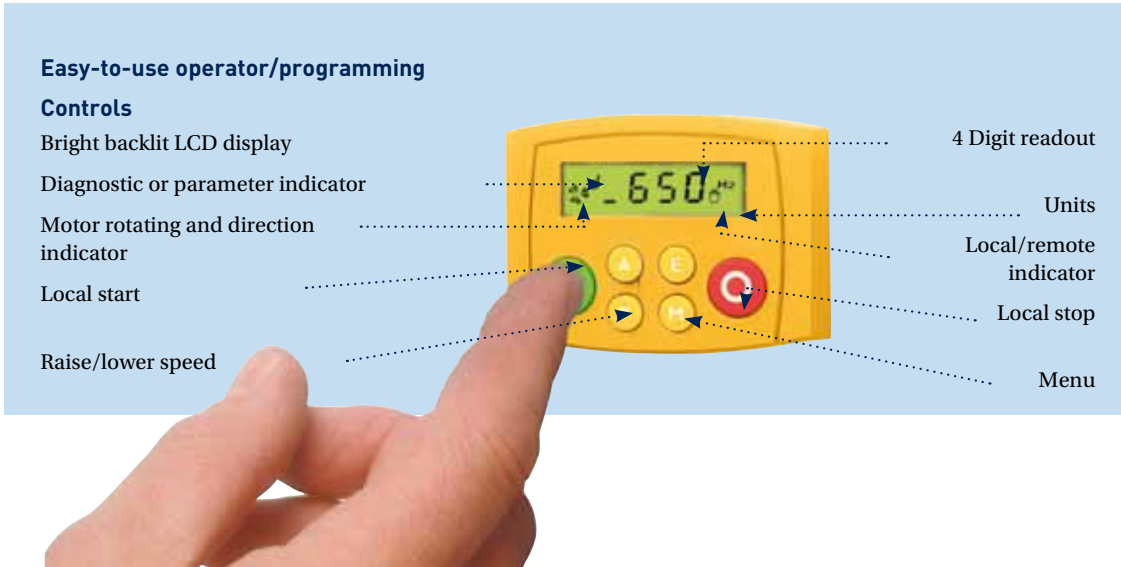
General purpose high performance AC drive

AC650G series AC drive

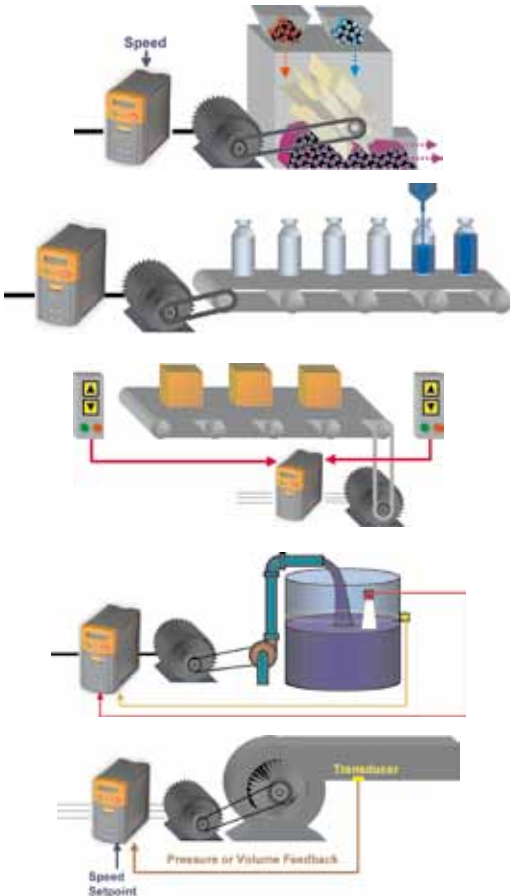
0.25kW - 110kW

Features

Diagnostic and control through the operator keypad



Simplified operation through the use of pre-programmed macros



- **Simple speed control**
set speed and voltage or current with start / stop direction control
- **Manual / automatic control**
set to run with local speed setting or external reference
- **Preset speed control**
select up to 8 pre-programmed speeds using digital inputs
- **Increase / decrease**
Increase or reduce speed using digital inputs
- **PID Control**
Control the pressure, flow, temperature or any process variable

Technical specification

AC650G series AC drive



Power supply	Single phase units 220-240 Vac +/- 10 %, 50-60 Hz +/- 5% Three phase units 380-460 Vac +/- 10 %, 50-60 Hz +/- 5%
Operating temperature	Constant torque : 0-45°C (0°C to 40°C with top cover fitted), derate up to a maximum of 50°C Variable torque : 0-40°C (0°C to 35°C with top cover fitted), derate up to a maximum of 50°C Output power is derated linearly at 2% per degree centigrade for temperature exceeding the maximum rating ambient for the drive
Protection	IP20
Overload	Constant torque rating : 150% for 60s Variable torque rating (pumps and fans) : 110% for 60s
Output frequency	0-240 Hz
Inputs/outputs Analogue inputs	2 ; Speed control 0-10V, 0-10V/4-20mA
Analogue outputs	2 ; User configurable output frequency / load 0-10V
Digital inputs	5 ; User configurable Start / Stop / Direction / pre-set speeds (8)
Digital inputs / outputs	2 ; User configurable as inputs or outputs
Digital relay outputs	1 ; Relay output 4A @ 240V All digital outputs configurable for; at (not at) speed / at (above) minimum speed / running (stopped) / health (tripped) / above (below) pre-set load

Motor thermistor input	
Power supply outputs	24V dc (50mA) - Digital I/O Supply 10V dc (10mA) - Analogue reference supply
Communications options	RS485 / RS232 Profibus

Standards

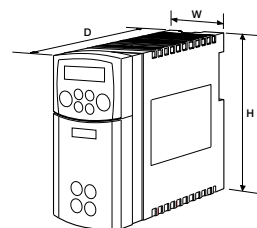
The AC650G series AC drives meets the following standards when installed in accordance with the relevant product manual

- CE marked to EN50178 (safety, low voltage directive)
- CE marked to EN61800-3 (EMC directive)
- UL listed to US standard UL508C
- cUL listed to Canadian standard C22.2 #14



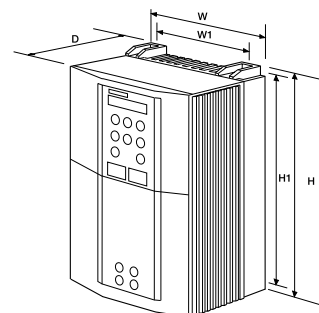
Dimensions

Frame	H	W	D
1	132	73	142
2	188	73	173
3	242	96	200



Frame 1,2,3

Frame	Overall dimensions			Fixing centres		Weight (kg)
	H	W	D	H1	W1	
C	348	201	208	335	150	9.3
D	453	252	245	440	150	17.4
E	669	257	312	630	150	32.5
F	720	257	355	700	150	41.0



Frame C, D, E, F

Electrical characteristics

AC650G series AC drive

220 – 240Vac (+10%) 50Hz (+5%) 1 ph

Order reference	Nominal power (kW)	Output current (A)	Frame
650G-21115010-...	0.25	1.5	1
650G-21122010-...	0.37	2.2	1
650G-21130010-...	0.55	3.0	1
650G-21140010-...	0.75	4.0	1
650G-21155020-...	1.1	5.5	2
650G-21170020-...	1.5	7.0	2
650G-22196030-...	2.2	9.6	3

220 – 240Vac (+10%) 50Hz (+5%) 3 ph

Order reference	Constant torque		Variable torque		Frame
	Nominal power (kW)	Output current (A)	Nominal power (kW)	Output current (A)	
650G-22196030-...	2.2	9.6			3
650G-23212330-...	3.0	12,3			3
650G-23216430-...	4.0	16,4			3
650G-232220C0-...	5,5	22	7,5	28	C
650G-232280C0-...	7,5	28	11	42	C
650G-232420D0-...	11	42	15	54	D
650G-232540D0-...	15	54	18,5	68	D
650G-232680D0-...	18,5	68	18,5	68	D
650G-232800E0-...	22	80	30	104	E
650G-233104F1-...	30	104	37	130	F
650G-233130F1-...	37	130	45	154	F
650G-233154F1-...	45	154	55	192	F

380 – 460Vac (+10%) 50Hz (+5%) 3 ph

Order reference	Constant torque		Variable torque		Frame
	Nominal power (kW)	Output current (A)	Nominal power (kW)	Output current (A)	
650G-43115020-...	0.37	1.5			2
650G-43120020-...	0.55	2			2
650G-43125020-...	0.75	2.5			2
650G-43135020-...	1.1	3.5			2
650G-43145020-...	1.5	4.5			2
650G-43155020-...	2.2	5.5			2
650G-43168030-...	3.0	6.8			3
650G-43190030-...	4.0	9			3
650G-43212030-...	5.5	12			3
650G-43216030-...	7.5	16			3
650G-432160C0-...	7.5	16	11	23	C
650G-432230C0-...	11	23	15	30	C
650G-432200C0-...	15	30	18	38	C
650G-432380D0-...	18	38	22	45	D
650G-432450D0-...	22	45	30	59	D
650G-432590D0-...	30	59	37	73	D
650G-432730E0-...	37	73	45	87	E
650G-432870E0-...	45	87	55	105	E
650G-433105F1-...	55	105	75	145	F
650G-433145F1-...	75	145	90	165	F
650G-433180F1-...	90	180	110	205	F

** Old reference refers to legacy part references prior to 2009
 ... See following product configuration pages to complete product reference

Selection and order codes

AC650G series AC drive

230V power supplies



		Block 1		Block 2		Block 3			Block 4								
		Example ▶	650G	-	21	1150	1	0	-	0	0	0	P	00	-	A	0
Product family	AC650G AC Drive -Sensorless Flux Vector Control		650G														
	Supply Voltage	Constant torque kW/A HP/A @Vac @Vac		Variable torque kW/A HP/A @Vac @Vac		Frame size											
Current / power rating	230V 1 phase					21											
		0.25/1.5	0.3/1.5		1	1150	1										
		0.37/2.2	0.5/2.2		1	1220	1										
		0.55/3.0	0.75/3.0		1	1300	1										
		0.75/4.0	1.0/4.0		1	1400	1										
		1.1/5.5	1.5/5.5		2	1550	2										
		1.5/7.0	2.0/7.0		2	1700	2										
	230V 1/3 phase					22											
		2.2/9.6	3.0/9.6		3	1960	3										
	230V 3 phase					23											
		3.0/12.3	4/12.3		3	2123	3										
		4.0/16.4	5/16.4		3	2164	3										
		5.5/22	7.5/22	7.5/28	10/28	C	2220	C									
	7.5/28	10/28	11/42	15/42	C	2280	C										
	11/42	15/42	15/54	20/54	D	2420	D										
	15/54	20/54	18.5/68	25/68	D	2540	D										
	18.5/68	25/68	18.5/68	25/68	D	2680	D										
	22/80	30/80	30/104	40/104	E	2800	E										
	30/104	40/104	37/130	50/130	F	3104	F										
	37/130	50/130	45/154	60/154	F	3130	F										
	45/154	60/154	55/192	75/192	F	3154	F										
Auxiliary supply	Not required (not available on frames 1-3 & frames C-E)									0							
	115V 1ph (frame F only)									1							
	230V 1ph (frame F only)									2							
Brake switch	Not fitted - (not available on frame 1 and frame 2 230V products)									0							
	Brake switch fitted - (must be fitted on frame 2 400/460V and all frame 3 products)									B							
Filter	Not fitted									0							
	Filter fitted									F							
Communications	RS 232 port fitted									1							
	RS232 & RS485 port fitted (frame C-F only)									2							
Mounting	Panel mount - (standard fitting)									P							
	Wall mount (option on frames C-F only)									W							
	Through panel mount (option on frames C-E only)									T							
Special options	None										00						
	Documented special options (01-99) (refer to local sales office)																
Language	English (50Hz)															A	
	English (60Hz)															B	
	German															D	
	Spanish															E	
	French															F	
	Italian															I	
	Swedish															S	
Keypad	None																0
	6511 TTL fitted (option on frames 1-3 only) (local mounting only)																1
	6511 RS232 fitted (option on frames 1-3 only) (local or remote mounting)																2
	6521 RS232 fitted (option on frames C – F only) (local or remote mounting)																3

Selection and order codes

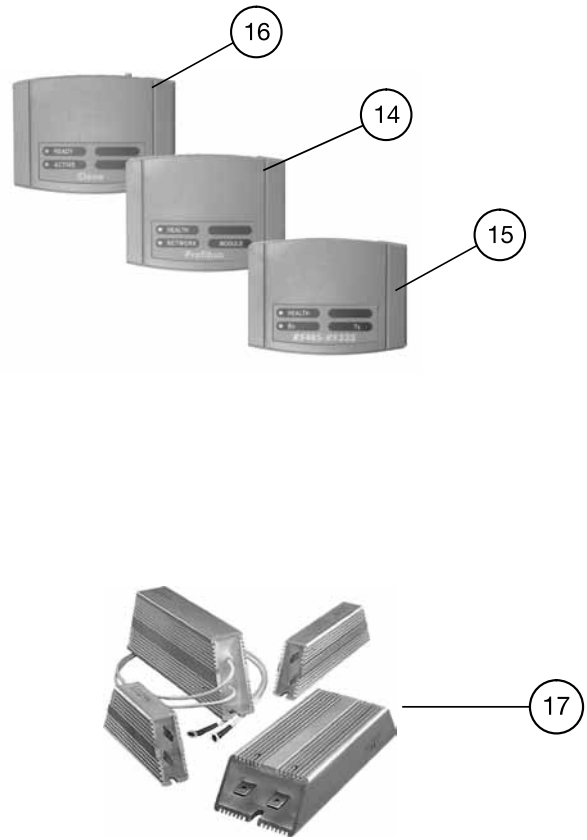
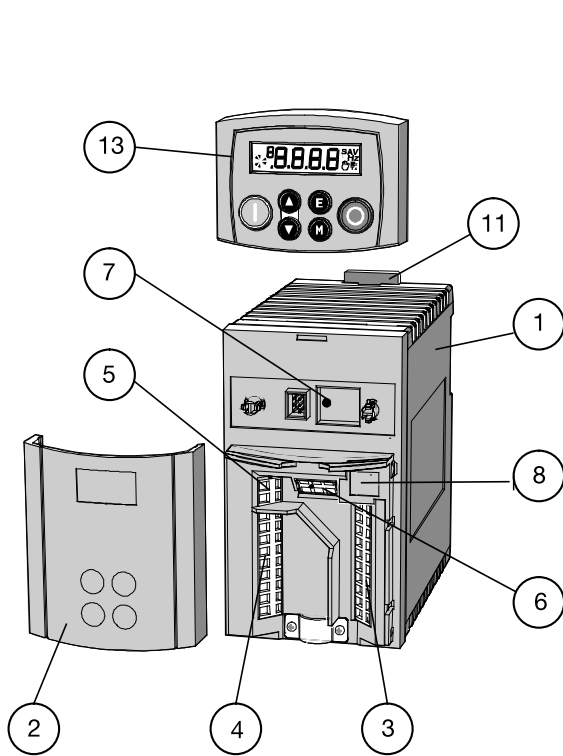
AC650G series AC drive
400V power supplies



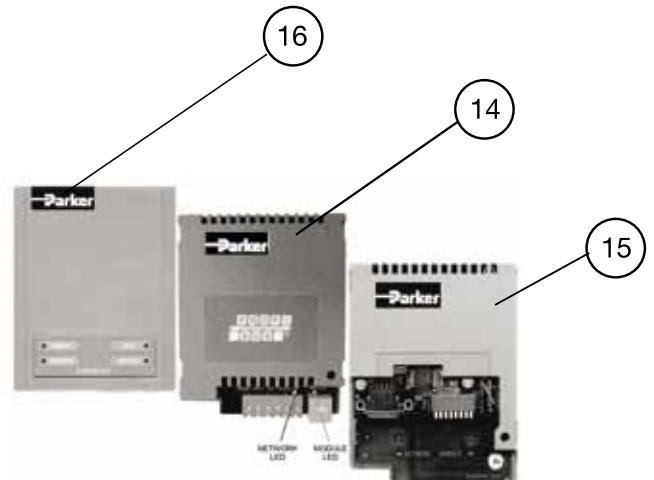
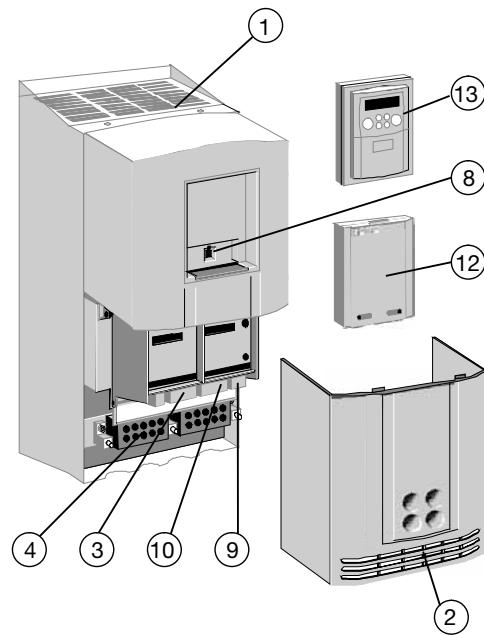
		Block 1	Block 2	Block 3	Block 4
Example ▶		650G	- 43 1150 2 0	- B 0 0 P 00	- A 0
Product family	AC650G AC Drive -Sensorless Flux Vector Control	650G			
	Constant torque kW/A HP/A @Vac @Vac	Variable torque kW/A HP/A @Vac @Vac	Frame size		
Power / current rating	Supply Voltage				
	400/460V 3 phase		43		
	0.37/1.5	0.5/1.5	2	1150 2	
	0.55/2.0	0.75/2.0	2	1200 2	
	0.75/2.5	1.0/2.5	2	1250 2	
	1.1/3.5	1.5/3.5	2	1350 2	
	1.5/4.5	2.0/4.5	2	1450 2	
	2.2/5.5	3.0/5.5	2	1550 2	
	3.0/6.8	4.0/6.8	3	1680 3	
	4.0/9.0	5.0/9.0	3	1900 3	
	5.5/12	7.5/12	3	2120 3	
	7.5/16	10/16	3	2160 3	
	400/460V 3 phase		43		
	7.5/16	10/14	11/23	15/21	C 2160 C
	11/23	15/21	15/30	20/27	C 2230 C
	15/30	20/27	18.5/37	25/34	C 2300 C
	15/31	20/31	18.5/38	25/38	D 2310 D
	18.5/38	25/38	22/45	30/45	D 2380 D
	22/45	30/45	30/59	40/52	D 2450 D
	30/59	40/52	37/73	50/65	D 2590 D
	30/59	40/59	37/73	50/73	E 2590 E
	37/73	50/73	45/87	60/87	E 2730 E
	45/87	60/87	55/105	75/105	E 2870 E
	55/105	75/100	75/145	100/125	F 3105 F
	75/145	100/130	90/165	125/156	F 3145 F
	90/180	125/156	110/205	150/180	F 3156 F
	90/180	150/180	110/205	150/180	F 3180 F
Auxiliary supply	Not required (frames 1-3 & frames C-E)				0
	115V 1ph (frame F only)				1
	230V 1ph (frame F only)				2
Brake switch	Not fitted - (not available on frame 1 and frame 2 230V products)				0
	Brake switch fitted -(must be fitted on frame 2 400/460V products and all frame 3 products)				B
Filter	Not fitted (option on frame 1-3 and must be selected for frames C-F)				0
	Filter fitted (option on frame 1-3 only)				F
Communications	RS 232 port fitted				1
	RS232 + RS485 port fitted (frame C-F only)				2
Mounting	Panel mount - (standard fitting)				P
	Wall mount (option on Frames C-E only)				W
	Through panel mount (option on frames C-E only)				T
Special options	None				00
	Documented special options (01-99) (refer to local sales office)				
Language	English (50Hz)				A
	English (60Hz)				B
	German				D
	Spanish				E
	French				F
	Italian				I
	Swedish				S
Keypad	None				0
	6511 TTL fitted (local mounting only)				1
	6511 RS232 fitted (option on frames 1 – 3 only) (local or remote mounting)				2
	6521 RS232 fitted (option on frames C– F only) (local or remote mounting)				3

Components and options

AC650G series AC drive



Frames 1 - 3 up to 7.5kW



Frames C - F up to 110kW

Components and options

AC650G series AC drive



Options		Frame	Fitting	Reference	Page
AC inverters					
1	Inverter housing	1 – F	Standard	See order codes	8-9
2	Terminal cover (simplified wiring diagram)	1 – F			
3	Control wiring terminals	1 – F			
4	Power wiring terminals	1 – F			
5	Volt-free relay contact	1 – F			
6	Encoder / digital inputs	1 – F			
7	Power on LED	1 – F			
8	RS232 P3 port for remote mounting of operator keypad	1 – F			
9	RS232 P3 port for programming	C – F			
10	RS485 port	C – F			
11	DIN Rail mounting clip	1 – 3			
12	Front cover	C – F			
Operator keypad					
13	TTL keypad (local mounting only)	1 – 3	Standard	6511-TTL-00	12
	RS232 keypad (remote mountable)	1 – 3	Option	6511-RS232-00	
		C – F	Standard	6521/00/G	
Communication					
14	Profibus communications card	1 – 3	Factory Option	6513-PROF-00	13
		C – F	Factory Option	6523/PROF/00	
15	RS232/RS485 communication card (Modbus RTU, EI Bisync F1/3)	1 – 3	Factory Option	6513-EI00-00	12
		C – F	Factory Option	See order codes	
Other options					
16	Cloning module for the storage and transfer of up to 10 drive configurations	1 – 3, C – F	Option	6514-00	12
Accessories					
17	Brake resistor		Please consult us		

Options

AC650G series AC drive

Cloning module

Description

The cloning module can be used with the complete range of the AC650G series of AC drives.

It allows the user to store up to 10 separate drive configurations which can then be transferred between different drives. The configurations can be mapped between different drive sizes. This is an invaluable tool for commissioning or plant maintenance personnel allowing drives to be backed up and reconfigured simply and easily.

Product details

Order code	Description	Suitable for
6514-00	Cloning Module	AC650G frames 1, 2, 3 fitted and AC650G frames C-F remote



RS485 Modbus interface

Description

The RS485/RS232 communications interface provides serial data communication, allowing an AC650G drive to connect to a Modbus RTU network as a slave station.

Features

- Protocols : ModBus RTU or EI-6ASCII
- Compatible with 650G versions 1.1 and above
- Connection by shielded twisted pair cable (RS485)
- Connection by shielded 3 core cable (RS232)
- Configuration of input function blocks
- Baud rate configurable by software
- Slave address configurable by software
- Direct access to all drive parameters

Product details

Order code	Description	Suitable for
6513-E100-00	RS485/RS232 Communications Interface	AC650G frames 1, 2, 3 fitted and AC650G frames C-F remote



Operator keypads

Product details

Order code	Description	Suitable for
6511-TTL-00	TTL keypad (local mounting)	AC650G Frames 1 - 3
6511-RS232-00	RS232 keypad (remote mountable)	AC650G Frames 1 - 3
6521-00-G	RS232 keypad (remote mountable)	AC650G Frames C - F



6511-xxxx-00



6521-00-G

Options

AC650G series AC drive

Profibus-DP interface

Description

The PROFIBUS option supports the PROFIBUS-DP PROFIBUS protocol, designed specifically for communication between a PLC system and remote I/O.

Features

- Profibus-DP network
- Connection by shielded twisted pair
- Baud rate configurable by software up to 12M Baud
- LED indication of card and communication status
- Compatible with AC inverters AC650G vers 1.1+

The Profibus interface enables the drive to connect to a Profibus-DP as a slave station.

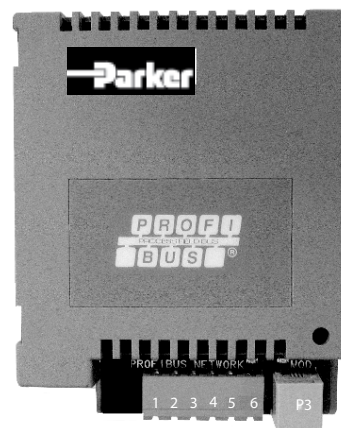
PROFIBUS module 6513-PROF-00
(AC650G frames 1, 2, 3)



Product details

Order Code	Description	Suitable for drives
6513-PROF-00	Profibus-DP communications interface	AC650/AC650G Frames 1, 2, 3
6523-PROF-00	Profibus-DP communications interface	650G Frames C, D, E & F

PROFIBUS module 6523-PROF-00
(AC650G+ Frames C-F)



Parker Worldwide

AE – UAE, Dubai
Tel: +971 4 8127100
parker.me@parker.com

AR – Argentina, Buenos Aires
Tel: +54 3327 44 4129

AT – Austria, Wiener Neustadt
Tel: +43 (0)2622 23501-0
parker.austria@parker.com

AT – Eastern Europe, Wiener Neustadt
Tel: +43 (0)2622 23501 900
parker.easteurope@parker.com

AU – Australia, Castle Hill
Tel: +61 (0)2-9634 7777

AZ – Azerbaijan, Baku
Tel: +994 50 2233 458
parker.azerbaijan@parker.com

BE/LU – Belgium, Nivelles
Tel: +32 (0)67 280 900
parker.belgium@parker.com

BR – Brazil, Cachoeirinha RS
Tel: +55 51 3470 9144

BY – Belarus, Minsk
Tel: +375 17 209 9399
parker.belarus@parker.com

CA – Canada, Milton, Ontario
Tel: +1 905 693 3000

CH – Switzerland, Etoy
Tel: +41 (0)21 821 87 00
parker.switzerland@parker.com

CL – Chile, Santiago
Tel: +56 2 623 1216

CN – China, Shanghai
Tel: +86 21 2899 5000

CZ – Czech Republic, Klecany
Tel: +420 284 083 111
parker.czechrepublic@parker.com

DE – Germany, Kaarst
Tel: +49 (0)2131 4016 0
parker.germany@parker.com

DK – Denmark, Ballerup
Tel: +45 43 56 04 00
parker.denmark@parker.com

ES – Spain, Madrid
Tel: +34 902 330 001
parker.spain@parker.com

FI – Finland, Vantaa
Tel: +358 (0)20 753 2500
parker.finland@parker.com

FR – France, Contamine s/Arve
Tel: +33 (0)4 50 25 80 25
parker.france@parker.com

GR – Greece, Athens
Tel: +30 210 933 6450
parker.greece@parker.com

HK – Hong Kong
Tel: +852 2428 8008

HU – Hungary, Budapest
Tel: +36 1 220 4155
parker.hungary@parker.com

IE – Ireland, Dublin
Tel: +353 (0)1 466 6370
parker.ireland@parker.com

IN – India, Mumbai
Tel: +91 22 6513 7081-85

IT – Italy, Corsico (MI)
Tel: +39 02 45 19 21
parker.italy@parker.com

JP – Japan, Tokyo
Tel: +81 (0)3 6408 3901

KR – South Korea, Seoul
Tel: +82 2 559 0400

KZ – Kazakhstan, Almaty
Tel: +7 7272 505 800
parker.easteurope@parker.com

MX – Mexico, Apodaca
Tel: +52 81 8156 6000

MY – Malaysia, Shah Alam
Tel: +60 3 7849 0800

NL – The Netherlands, Oldenzaal
Tel: +31 (0)541 585 000
parker.nl@parker.com

NO – Norway, Asker
Tel: +47 66 75 34 00
parker.norway@parker.com

NZ – New Zealand, Mt Wellington
Tel: +64 9 574 1744

PL – Poland, Warsaw
Tel: +48 (0)22 573 24 00
parker.poland@parker.com

PT – Portugal, Leca da Palmeira
Tel: +351 22 999 7360
parker.portugal@parker.com

RO – Romania, Bucharest
Tel: +40 21 252 1382
parker.romania@parker.com

RU – Russia, Moscow
Tel: +7 495 645-2156
parker.russia@parker.com

SE – Sweden, Spånga
Tel: +46 (0)8 59 79 50 00
parker.sweden@parker.com

SG – Singapore
Tel: +65 6887 6300

SK – Slovakia, Banská Bystrica
Tel: +421 484 162 252
parker.slovakia@parker.com

SL – Slovenia, Novo Mesto
Tel: +386 7 337 6650
parker.slovenia@parker.com

TH – Thailand, Bangkok
Tel: +662 717 8140

TR – Turkey, Istanbul
Tel: +90 216 4997081
parker.turkey@parker.com

TW – Taiwan, Taipei
Tel: +886 2 2298 8987

UA – Ukraine, Kiev
Tel: +380 44 494 2731
parker.ukraine@parker.com

UK – United Kingdom, Warwick
Tel: +44 (0)1926 317 878
parker.uk@parker.com

US – USA, Cleveland
Tel: +1 216 896 3000

VE – Venezuela, Caracas
Tel: +58 212 238 5422

ZA – South Africa, Kempton Park
Tel: +27 (0)11 961 0700
parker.southafrica@parker.com



Parker Hannifin Ltd, Automation Group, SSD Drives Europe

New Courtwick Lane, Littlehampton
West Sussex BN17 7RZ United Kingdom
Tel: +44 (0) 1903 737 000 Fax: +44 (0) 1903 737 100
epic@parker.com
www.parker.com/ssd